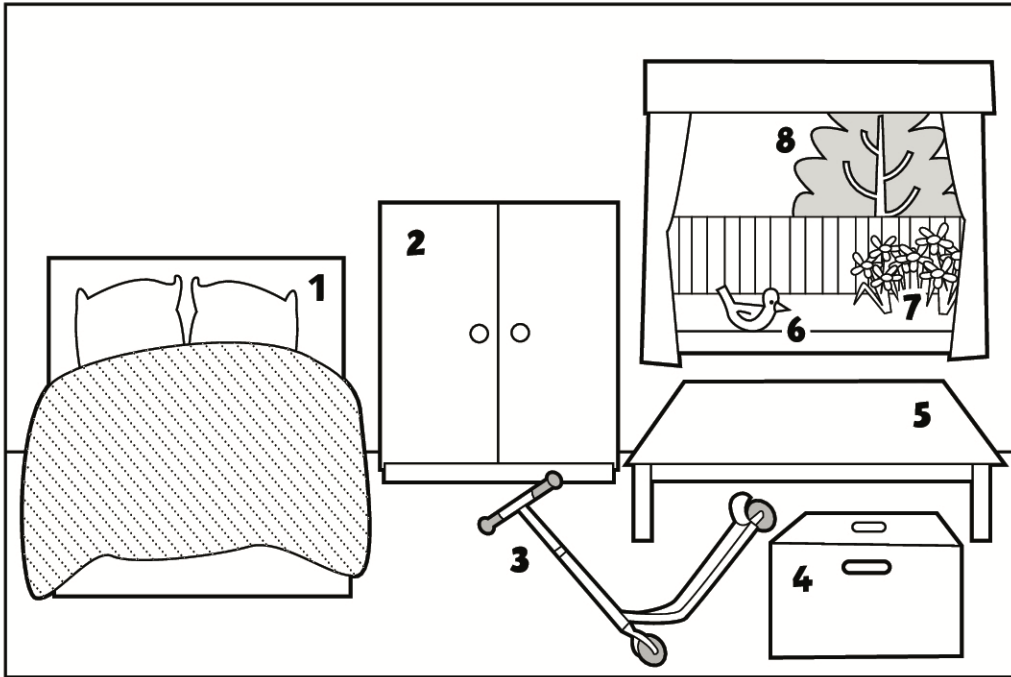


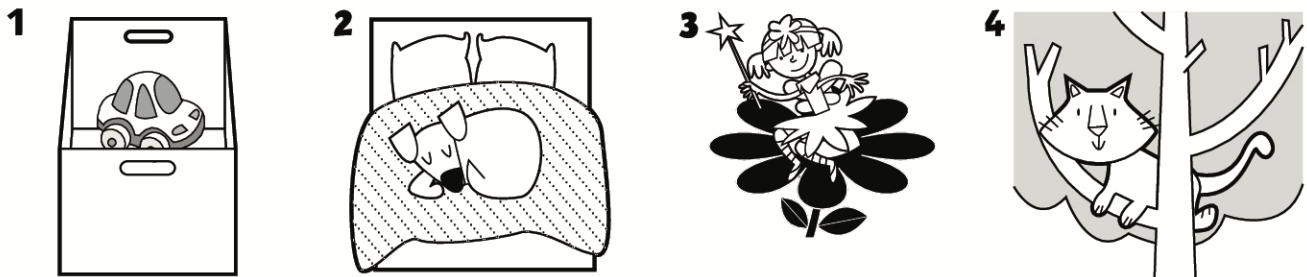
➔ Look and write.

bed bird box cupboard flowers table tree scooter



- 1 bed
- 2 _____
- 3 _____
- 4 _____
- 5 _____
- 6 _____
- 7 _____
- 8 _____

➔ Circle and write.



- 1 The car is **in** / on the box.
- 2 The dog is **in** / on the _____.
- 3 The girl is **in** / on the _____.
- 4 The cat is **in** / on the _____.
- 5 The _____ is **in** / on the _____.
- 6 The _____ is **in** / on the _____.

